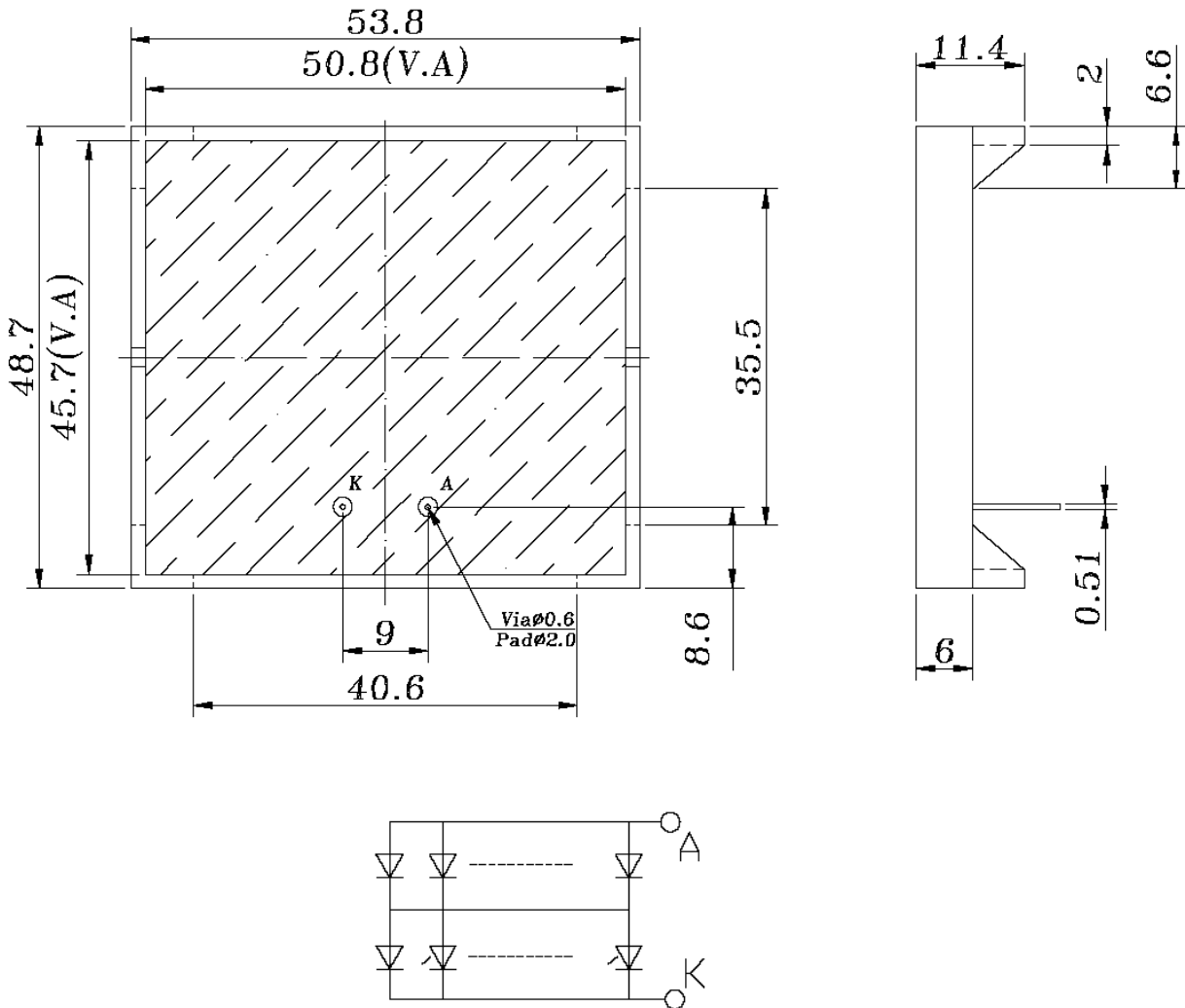


50.8\*45.7 mm Yellow Green LCD Backlight  
Technical Data Sheet

Part No: KWB-R5146G-24G  
Color : Yellow Green  
LED Chip Material: GaP



## Mechanical Outline



### Notes:

1. LED's chip q'ty : 24 pcs
2. All dimensions are in millimeters .
3. Tolerance is  $\pm 0.3$  mm unless otherwise noted.
4. Specifications are subject to change without notice.

### Absolute Maximum Ratings at Ta=25°C

| Parameter             | Symbol | Condition                  | Rating  | Unit |
|-----------------------|--------|----------------------------|---------|------|
| Forward Current       | Ifm    |                            | 180     | mA   |
| Peak forward Current  | Ifp    | 1 msec Plus 10% Duty Cycle | 600     | mA   |
| Reverse Voltage       | Vr     |                            | 10      | V    |
| Power Dissipation     | Pd     |                            | 750     | mW   |
| Operating Temperature | Topr   |                            | -20~+70 | °C   |
| Storage Temperature   | Tstg   |                            | -20~+75 | °C   |

### Electrical Optical Characteristics at Ta=25°C

| Parameter                 | Symbol | Min. | Typ. | Max. | Unit  | Test Condition |
|---------------------------|--------|------|------|------|-------|----------------|
| Forward Current           | If     | 110  | 120  | 130  | mA    | Vf=4.2V        |
| Forward Voltage           | Vf     | 4    | 4.2  | 4.4  | V     | IF=120mA       |
| Reverse Current           | Vr     | --   | --   | 120  | μA    | Vr=10V         |
| Luminance (Without Glass) | Lv     | ---  | 130  | ---  | cd/m2 | IF=120mA       |
| Peak wavelength           | λ p    | 568  | 570  | 575  | nm    | IF=120mA       |

## Cautions

### ■Storage:

- ◇ Storing the units in bad condition will cause the reflector sheet and decrease it's adhesive power. Storage the products under the condition: temperature ( $25^{\circ}\text{C} \pm 10^{\circ}\text{C}$ ) and humidity ( $65^{\circ}\text{CRH} \pm 20^{\circ}\text{CRH}$ ) our recommendation.

### ■Soldering:

- ◇ The soldering Temperature is  $260 \pm 5^{\circ}\text{C}$  and Soldering Time should be less than 3 sec, and soldering iron power should be less than 30W.
- ◇ The soldering point should be farther than 1.6mm from body.