

66.5*33 mm Single Color LCD Backlight
Technical Data Sheet

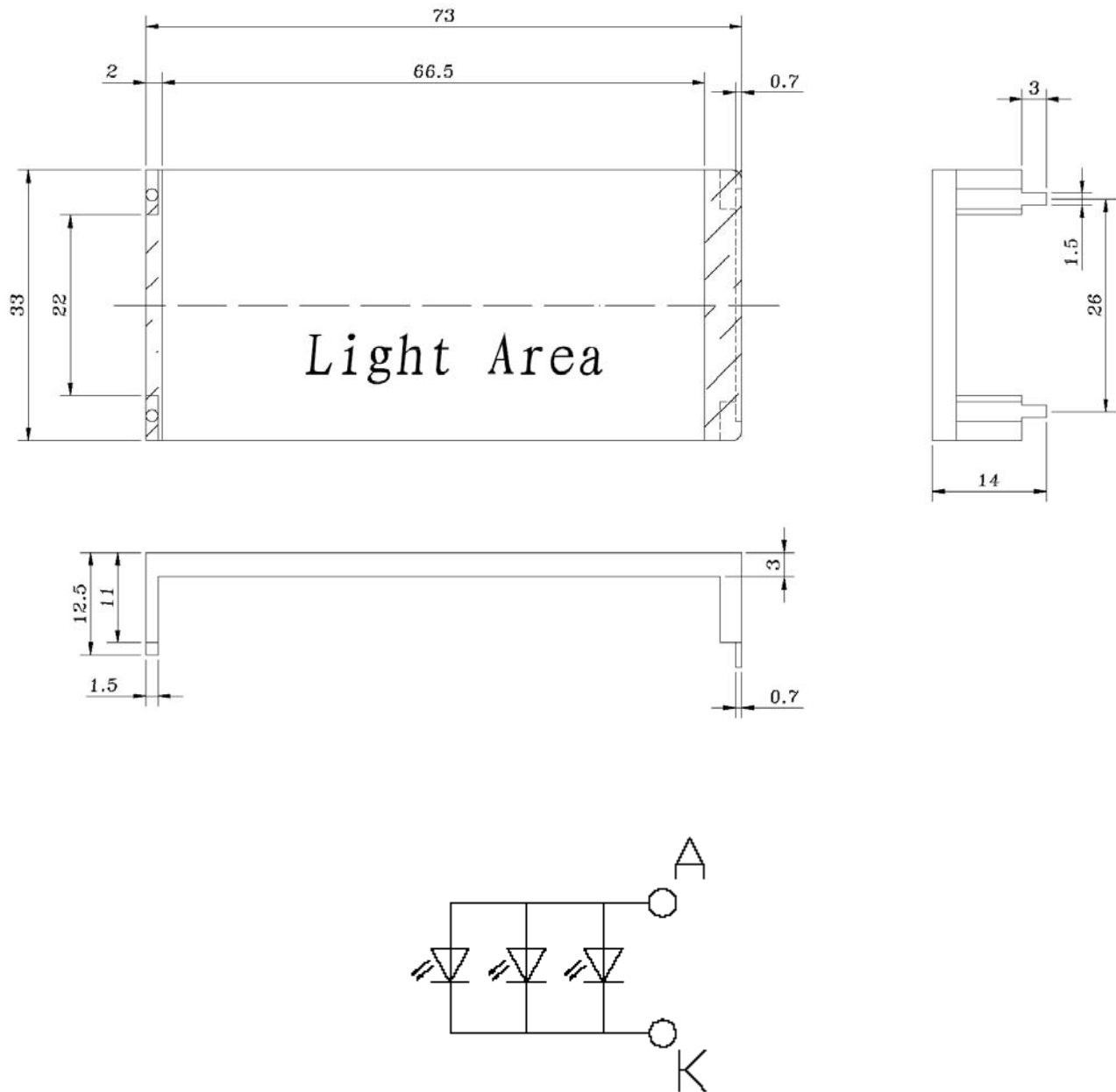
Part No: KWB-R6633PG-3G

Color : Pure Green

LED Chip Material: InGaN



Mechanical Outline



Notes:

1. LED Lamp Q'ty : 3 pcs (Pure Green LED)
2. All dimensions are in millimeters .
3. Tolerance is ± 0.3 mm unless otherwise noted.
4. Specifications are subject to change without notice.

Absolute Maximum Ratings at Ta=25°C

Parameter	Symbol	Condition	Rating	Unit
Continuous Forward Current	Ifm	---	90	mA
Peak forward Current	Ifp	1 msec Plus 10% Duty Cycle	150	mA
Reverse Voltage	Vr		5	V
Power Dissipation	Pd		300	mW
Operating Temperature	Topr		-20~+70	°C
Storage Temperature	Tstg		-20~+75	°C

Electrical Optical Characteristics at Ta=25°C

Parameter	Symbol	Min.	Typ.	Max.	Unit	Test Condition
Forward Current	If	45	60	70	mA	Vf=3.3V
Forward Voltage	Vf	2.8	3.3	4.0	V	IF=60mA
Reverse Current	Vr	--	--	10	μA	Vr=5V
Luminance (Without Glass)	Lv	---	50	---	cd/m ²	Vf=3.3V
Dominant wavelength	λd	520	525	530	nm	IF=60mA

Note:

- The dominant wavelength (λ_d) is derived from the CIE chromaticity diagram and represents the single wavelength which defines the color of the device.

Cautions

■Storage:

- ◇ Storing the units in bad condition will cause the reflector sheet and decrease it's adhesive power. Storage the products under the condition: temperature ($25^{\circ}\text{C} \pm 10^{\circ}\text{C}$) and humidity ($65^{\circ}\text{CRH} \pm 20^{\circ}\text{CRH}$) our recommendation.

■Soldering:

- ◇ The soldering Temperature is $260 \pm 5^{\circ}\text{C}$ and Soldering Time should be less than 3 sec, and soldering iron power should be less than 30W.
- ◇ The soldering point should be farther than 1.6mm from body.

■ESD (Electrostatic Discharge)

- ◇ Static electricity and surge will damage the LEDs. It is recommended to use a wrist band or anti-electrostatic glove when handling the LEDs.
- ◇ All devices, equipment and machinery must be properly grounded.