

$\phi$  50mm GU10 Spotlight Series  
Technical Data Sheet

Model No: L-GU10XXAC18R



## Features

- ◇ High Intensity
- ◇ Low Power Consumption.
- ◇ Long life.
- ◇ Voltages Available 110~130V AC.
- ◇ Available for all color
- ◇ Easy-equipped.

## Description

This LED lightings are substitution of halogen lightings GU10. It has high luminant efficiency by using super bright LED. The colors of lighting can be white, warn white, red, yellow, blue, green and other colors.

## Application

- ◇ Entertainment Lighting
- ◇ Architectural lighting
- ◇ City Beautification
- ◇ Landscape lighting
- ◇ Medical lighting
- ◇ Portable lighting
- ◇ Other light sources

## Device Selection Guide

Part No.	Color	Q'ty of LEDs (pcs)	Color Temp / Wavelength Typ (kelvin/nm)	Total Lumens Typ (lm)
L-GU10W6AC18R	Warm White	18	3000K	28.8
L-GU10WAC18R	Cool White	18	6000K	27.6
L-GU10BAC18R	Blue	18	470nm	4.4
L-GU10GAC18R	Green	18	525nm	22.8
L-GU10YAC18R	Yellow	18	590nm	10.8
L-GU10RAC18R	Red	18	624nm	11.2

Spec No: L-GU10-05 Rev No. V.1 Date: May/12/2008 Page: 2 OF 4

Approved: Bob Checked Shuijinzhou Drawn: Yunli

### Absolute Maximum Ratings ( Ta =25°C)

Items	Symbol	Rating	Units
Operating Voltage	Viac	AC 110	V
Input Current	li	AC 11	mA
Operating frequency	Freo	50-60	Hz
Power Dissipation	Pa	1.2-1.4	W
Operating Temperature	Tope	-30 - +50	°C
Storage Temperature	Tsto	-40 - + 80	°C

### Typical Performance ( Ta =25°C)

Items	Symbol	Min	Typ.	Max.	Units
Input Voltage	Vi	---	110	130	V
Input Current	If	---	---	12.0	mA
Beam Pattern	BP	---	50	---	Deg
Total Length	Lmod.	---	53.5	---	mm
Net Weight	Wei.	---	53.0	---	g
Estimated Life [1]	Life	50000	---	---	hour
Optimized Thermal Management (Body Temperature)	/		---	50	°C

Notes:

- [1] The estimated life of GU10 with Lucky Light's lamps are estimated base on the LED light 4-8 hours each day. and Lucky Light only guarantee 50000 hours in specification , but it is longer than 50000 hours .
- Rank rations will be determined by Lucky Light , if you have any request or queries for Lucky Light products , please directly contact salesman .
- The brightness and forward voltage can be designed according to customer specifications.
- Specifications are subject to change without notice

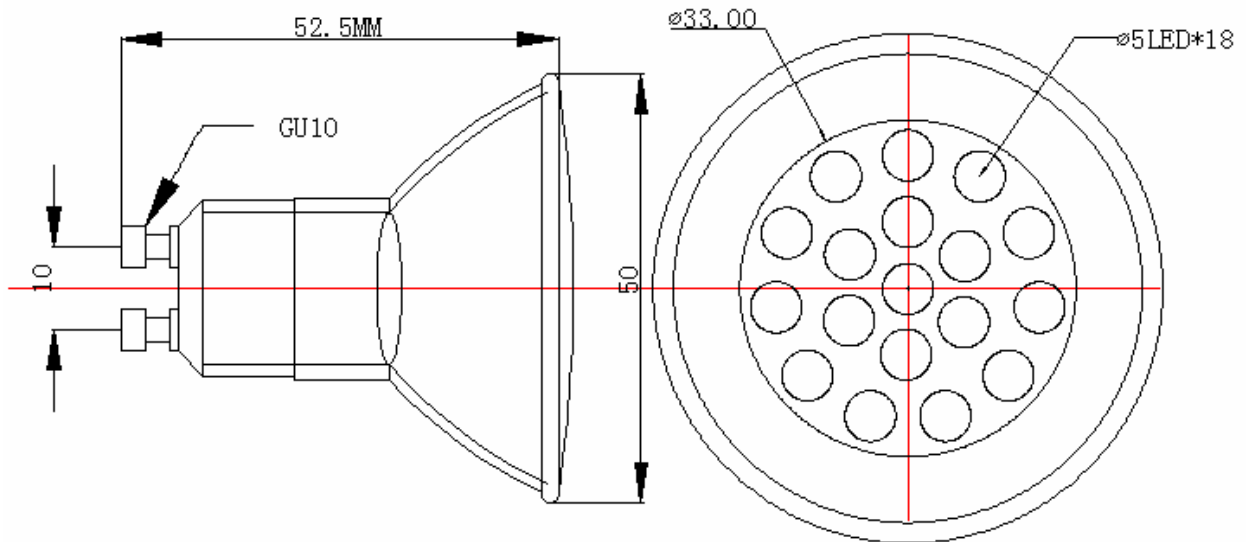
Spec No: L-GU10-05 Rev No. V.1 Date: May/12/2008 Page: 3 OF 4

Approved: Bob Checked Shuijinzhou Drawn: Yunli

## Product picture:



## Product Dimensions



### Notes:

1. All dimensions unit in mm .
2. The tolerance is +/- 0.2mm unless otherwise noted

Spec No: L-GU10-05 Rev No. V.1 Date: May/12/2008 Page: 4 OF 4

Approved: Bob Checked Shuijinzhou Drawn: Yunli

Lucky Light Electronics Co., Ltd

<http://www.luckylight.cn>