

Φ 50mm E27 Spotlight Series  
Technical Data Sheet

Model No: L-E27XXAA21R



## Features

- ◇ High Intensity
- ◇ Low Power Consumption.
- ◇ Long life.
- ◇ Voltages Available 12V AC or 12V DC.
- ◇ Available for all color
- ◇ Easy-equipped.

## Description

This LED lightings are substitution of halogen lightings E27. It has high luminant efficiency by using super bright LED. The colors of lighting can be white, warn white, red, yellow, blue, green and other colors.

## Application

- ◇ Entertainment Lighting
- ◇ Architectural lighting
- ◇ City Beautification
- ◇ Landscape lighting
- ◇ Medical lighting
- ◇ Portable lighting
- ◇ Other light sources

## Device Selection Guide

Part No.	Color	Q'ty of LEDs (pcs)	Color Temp / Wavelength Typ (kelvin/nm)	Total Lumens Typ (lm)
L-E27W6AA21R	Warm White	21	3000K	35.2
L-E27WAA21R	Cool White	21	6000K	34.4
L-E27BAA21R	Blue	21	470nm	6.0
L-E27GAA21R	Green	21	525nm	28.4
L-E27YAA21R	Yellow	21	590nm	12.4
L-E27RAA21R	Red	21	624nm	12.8

Spec No: L-E27-07    Rev No. V.1    Date: May/12/2008    Page: 2 OF 4

Approved: Bob    Checked Shuijinzhou    Drawn: Yunli

### Absolute Maximum Ratings ( Ta =25°C)

Items	Symbol	Rating	Units
Operating Voltage	Viac	AC 12	V
Input Current	li	AC 112	mA
Operating frequency	Freo	50-60	Hz
Power Dissipation	Pa	1.4-1.7	W
Operating Temperature	Tope	-30 - +50	°C
Storage Temperature	Tsto	-40 - + 80	°C

### Typical Performance ( Ta =25°C)

Items	Symbol	Min	Typ.	Max.	Units
Input Voltage	Vi	---	12	---	V
Input Current	If	---	---	140	mA
Beam Pattern	BP	---	50	---	Deg
Total Length	Lmod.	---	51.5	---	mm
Net Weight	Wei.	---	52.5	---	g
Estimated Life [1]	Life	50000	---	---	hour
Optimized Thermal Management (Body Temperature)	/		---	50	°C

Notes:

- [1] The estimated life of E27 with Lucky Light's lamps are estimated base on the LED light 4-8 hours each day. and Lucky Light only guarantee 50000 hours in specification , but it is longer than 50000 hours .
- Rank rations will be determined by Lucky Light , if you have any request or queries for Lucky Light products , please directly contact salesman .
- The brightness and forward voltage can be designed according to customer specifications.
- Specifications are subject to change without notice

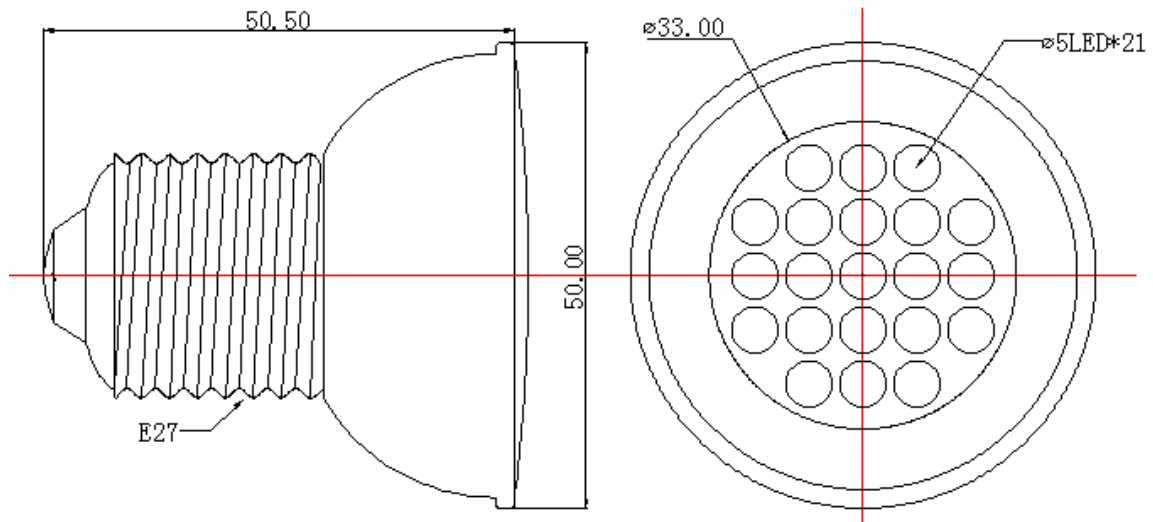
Spec No: L-E27-07 Rev No. V.1 Date: May/12/2008 Page: 3 OF 4

Approved: Bob Checked Shuijinzhou Drawn: Yunli

**Product picture:**



**Product Dimensions**



**Notes:**

- 1. All dimensions unit in mm .
- 2. The tolerance is +/- 0.2mm unless otherwise noted