

ϕ 50mm GU10 Spotlight Series
Technical Data Sheet

Model No: L-GU10XXAA21R



Features

- ◇ High Intensity
- ◇ Low Power Consumption.
- ◇ Long life.
- ◇ Voltages Available 12V AC or 12V DC.
- ◇ Available for all color
- ◇ Easy-equipped.

Description

This LED lightings are substitution of halogen lightings GU10. It has high luminant efficiency by using super brihgt LED. The colors of lighting can be white, warn white, red, yellow, blue, green and other colors.

Application

- ◇ Entertainment Lighting
- ◇ Architectural lighting
- ◇ City Beautification
- ◇ Landscape lighting
- ◇ Medical lighting
- ◇ Portable lighting
- ◇ Other light sources

Device Selection Guide

Part No.	Color	Q'ty of LEDs (pcs)	Color Temp / Wavelength Typ (kelvin/nm)	Total Lumens Typ (lm)
L-GU10W6AA21R	Warm White	21	3000K	37.6
L-GU10WAA21R	Cool White	21	6000K	34.0
L-GU10BAA21R	Blue	21	470nm	6.0
L-GU10GAA21R	Green	21	525nm	28.4
L-GU10YAA21R	Yellow	21	590nm	12.8
L-GU10RAA21R	Red	21	624nm	14.0

Spec No: L-GU10-01 Rev No. V.1 Date: May/12/2008 Page: 2 OF 4

Approved: Bob Checked Shuijinzhou Drawn: Yunli

Absolute Maximum Ratings (Ta =25°C)

Items	Symbol	Rating	Units
Operating Voltage	Viac	AC 12	V
Input Current	Ii	AC 112	mA
Operating frequency	Freo	50-60	Hz
Power Dissipation	Pa	1.4-1.7	W
Operating Temperature	Tope	-30 - +50	°C
Storage Temperature	Tsto	-40 - + 80	°C

Typical Performance (Ta =25°C)

Items	Symbol	Min	Typ.	Max.	Units
Input Voltage	Vi	---	12	13	V
Input Current	If	---	---	140	mA
Beam Pattern	BP	---	50	---	Deg
Total Length	Lmod.	---	53.5	---	mm
Net Weight	Wei.	---	48.5	---	g
Estimated Life [1]	Life	50000	---	---	hour
Optimized Thermal Management (Body Temperature)	/		---	50	°C

Notes:

- [1] The estimated life of GU10 with Lucky Light's lamps are estimated base on the LED light 4-8 hours each day. and Lucky Light only guarantee 50000 hours in specification , but it is longer than 50000 hours .
- Rank rations will be determined by Lucky Light , if you have any request or queries for Lucky Light products , please directly contact salesman .
- The brightness and forward voltage can be designed according to customer specifications.
- Specifications are subject to change without notice

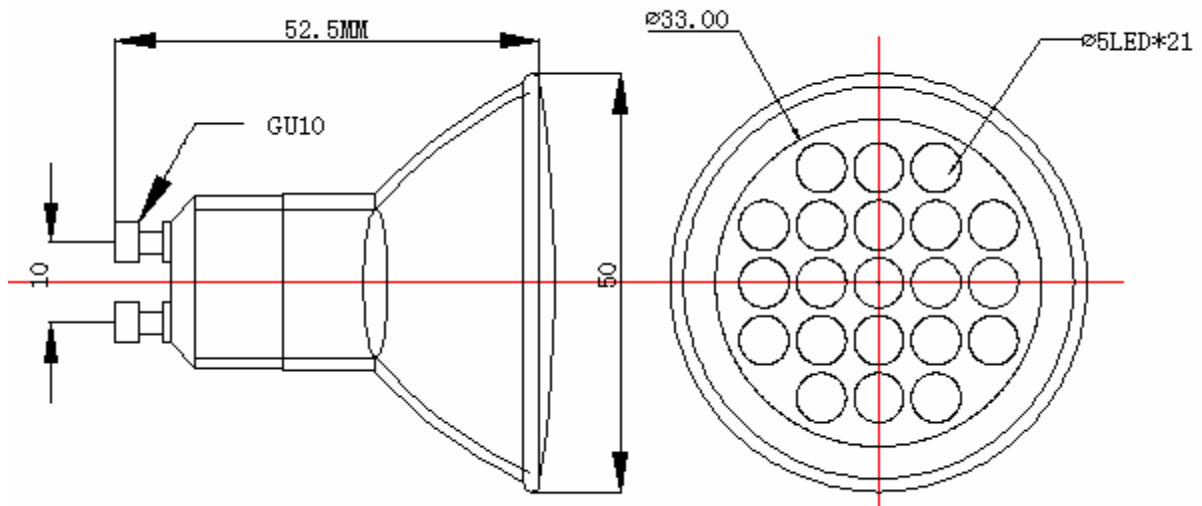
Spec No: L-GU10-01 Rev No. V.1 Date: May/12/2008 Page: 3 OF 4

Approved: Bob Checked Shuijinzhou Drawn: Yunli

Product picture:



Product Dimensions



Notes:

- 1. All dimensions unit in mm .
- 2. The tolerance is +/- 0.2mm unless otherwise noted