

PAR 20 Shoot Lamp Series
Technical Data Sheet

Model No: L-PAR20XXAD36R



Features

- ◇ High Intensity
- ◇ Low Power Consumption.
- ◇ Long life.
- ◇ Voltages Available 220~240V AC.
- ◇ Available for all color
- ◇ Easy-equipped.

Description

This LED lightings are substitution of PAR20 lightings E27 . It has high luminant efficiency by using super brihgt LED. The colors of lighting can be white, warm white, red, yellow, blue, green and other colors.

Application

- ◇ Entertainment Lighting
- ◇ Architectural lighting
- ◇ City Beautification
- ◇ Landscape lighting
- ◇ Furniture lighting
- ◇ Portable lighting
- ◇ Other light sources

Device Selection Guide

Part No.	Color	Q'ty of LEDs (pcs)	Color Temp / Wavelength Typ (kelvin/nm)	Total Lumens Typ (lm)
L-PAR20W6AD36R	Warm White	36	3000K	64.5
L-PAR20WAD36R	Cool White	36	6000K	58.2
L-PAR20BAD36R	Blue	36	470nm	10.5
L-PAR20GAD36R	Green	36	525nm	48.6
L-PAR20YAD36R	Yellow	36	590nm	22.0
L-PAR20RAD36R	Red	36	624nm	24.2

Spec No: L-PAR-04 Rev No. V.1 Date: May/28/2008 Page: 2 OF 4

Approved: Bob Checked Shuijinzhou Drawn: Yunli

Absolute Maximum Ratings (Ta =25°C)

Items	Symbol	Rating	Units
Operating Voltage	Viac	AC 220	V
Input Current	li	AC 18	mA
Operating frequency	Freo	50-60	Hz
Power Dissipation	Pa	4.0-5.2	W
Operating Temperature	Tope	-30 - +50	°C
Storage Temperature	Tsto	-40 - + 80	°C

Typical Performance (Ta =25°C)

Items	Symbol	Min	Typ.	Max.	Units
Input Voltage	Vi	---	220	240	V
Input Current	If	---	---	22	mA
Beam Pattern	BP	---	50	---	Deg
Total Length	Lmod.	---	91.0	---	mm
Net Weight	Wei.	---	80	---	g
Estimated Life [1]	Life	50000	---	---	hour
Optimized Thermal Management (Body Temperature)	/		---	50	°C

Notes:

- [1] The estimated life of PAR20 with Lucky Light's lamps are estimated base on the LED light 4-8 hours each day. and Lucky Light only guarantee 50000 hours in specification , but it is longer than 50000 hours .
- Rank rations will be determined by Lucky Light , if you have any request or queries for Lucky Light products , please directly contact salesman .
- The brightness and forward voltage can be designed according to customer specifications.
- Specifications are subject to change without notice

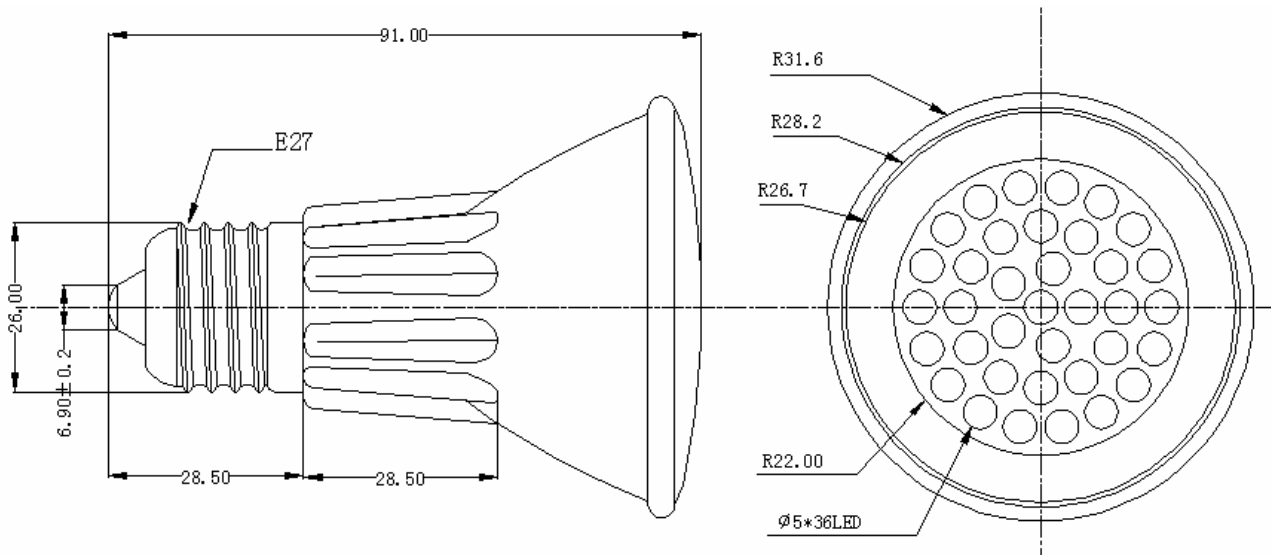
Spec No: L-PAR-04 Rev No. V.1 Date: May/28/2008 Page: 3 OF 4

Approved: Bob Checked Shuijinzhou Drawn: Yunli

Product picture:



Product Dimensions



Notes:

1. All dimensions unit in mm .
2. The tolerance is +/- 0.2mm unless otherwise noted