

φ 50mm E27 High power Series
Technical Data Sheet

Model No: L-JDRE27HXXAD1W3R



Features

- ◇ High Intensity
- ◇ Low Power Consumption.
- ◇ Long life.
- ◇ Low voltage operation at 90-260VAC
- ◇ Available for all color
- ◇ Easy-equipped.

Description

This LED lightings are Big power 3pc LED for 1W, higher than the bright of other spot lamp as E27. make use of the top grade aluminum alloy of the curst, faster scatter thermal diffusion.

The colors of lighting can be white, warn white, red, yellow, blue, green and other colors.

Application

- ◇ Entertainment Lighting
- ◇ Architectural lighting
- ◇ City Beautification
- ◇ Landscape lighting
- ◇ Medical lighting
- ◇ Portable lighting
- ◇ Other light sources

Device Selection Guide

Part No.	Color	Q'ty of LEDs (pcs)	Color Temp / Wavelength Typ (kelvin/nm)	Total Lumens Typ (lm)
L-JDRE27HW6AD1W3R	Warm White	3	3000K	120
L-JDRE27HWAD1W3R	Cool White	3	6000K	135
L-JDRE27HBAD1W3R	Blue	3	470nm	24.6
L-JDRE27HGAD1W3R	Green	3	525nm	117.2
L-JDRE27HYAD1W3R	Yellow	3	590nm	96.5
L-JDRE27HRAD1W3R	Red	3	624nm	130.5

Spec No: L-E27 -33 Rev No. V.1 Date: May./08/2008 Page: 2 OF 4

Approved: Bob Checked Shuijinzhou Drawn: Yunli

Lumen Decrease(Ta =25°C)

Operating time (hours)	2000	5000	10000
Lumen decrease (%)	2	8	15

Absolute Maximum Ratings (Ta =25°C)

Items	Symbol	Rating	Units
Operating Voltage	Viac	AC 220	V
LED Operating Current	li	AC 36	mA
Operating frequency	Freo	50-60	Hz
Power Dissipation	Pa	5.2	W
Operating Temperature	Tope	-5 - +45	°C
Storage Temperature	Tsto	-10 - +50	°C

Typical Performance (Ta =25°C)

Items	Symbol	Min	Typ.	Max.	Units
Input Voltage	Vi	90	---	260	V
Input Current	If	---	---	39	mA
Beam Pattern	BP	---	45	---	Deg
Total Length	Lmod.	---	77	---	mm
Net Weight	Wei.	---		---	g
Estimated Life [1]	Life	30000	---	---	hour
Optimized Thermal Management (Body Temperature)	/		---	50	°C

Notes:

- [1] The estimated life of E27 with Lucky Light's lamps are estimated base on the LED light 4-8 hours each day. and Lucky Light only guarantee 30000 hours in specification , but it is longer than 50000 hours .
- Rank rations will be determined by Lucky Light , if you have any request or queries for Lucky Light products , please directly contact salesman .
- The brightness and forward voltage can be designed according to customer specifications.
- Specifications are subject to change without notice

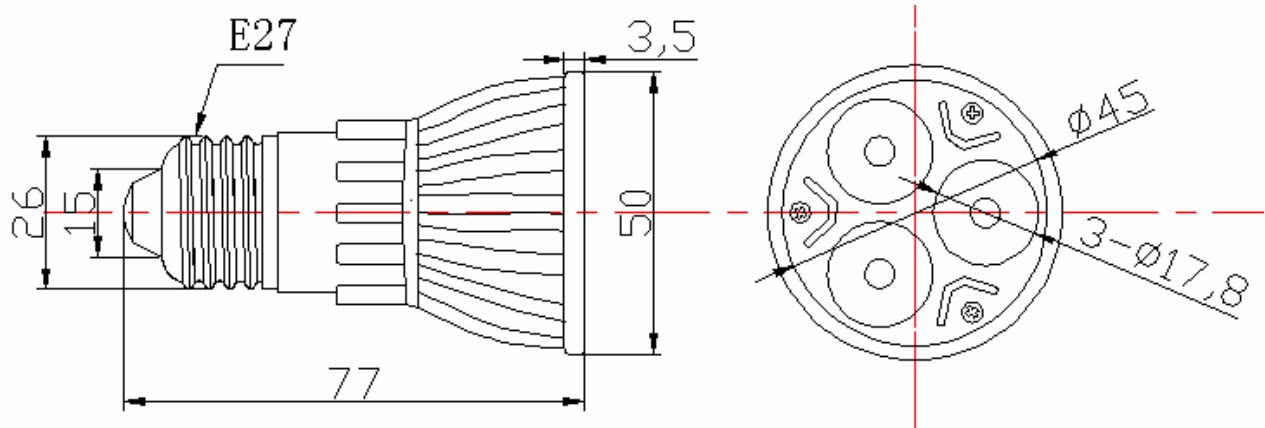
Spec No: L-E27 -33 Rev No. V.1 Date: May./08/2008 Page: 3 OF 4

Approved: Bob Checked Shuijinzhou Drawn: Yunli

Product picture:



Product Dimensions



Notes:

1. All dimensions unit in mm .
2. The tolerance is +/- 0.2mm unless otherwise noted