

**Φ 50mm MR16 High power Series
Technical Data Sheet**

Model No.: L-MR16HXXDB3W1R



Features:

- ◇ High intensity.
- ◇ Low power consumption.
- ◇ Long life.
- ◇ Low voltage operation at 24V DC.
- ◇ Available for all color.
- ◇ Easy-equipped.

Description:

This LED lightings are high power 1pcs LED for 3W, higher than the bright of other spot lamp as MR16. Make use of the top grade aluminum alloy of the crust, faster scatter thermal diffusion. The colors of lighting can be white, warm white, red, yellow, blue, green and other colors.

Application:

- ◇ Entertainment Lighting.
- ◇ Architectural lighting.
- ◇ City Beautification.
- ◇ Landscape lighting.
- ◇ Furniture decoration.
- ◇ Portable lighting.
- ◇ Other light sources.

Device Selection Guide:

Part No.	Color	Q'ty of LEDs (pcs)	Color Temp/Wavelength Typ (kelvin/nm)	Luminous Flux (lm)
L-MR16HW6DB3W1R	Warm White	1	3000K	68
L-MR16HWDB3W1R	White	1	8000K	64.8
L-MR16HBDB3W1R	Blue	1	470nm	18
L-MR16HGDB3W1R	Green	1	525nm	75
L-MR16HYDB3W1R	Yellow	1	590nm	64
L-MR16HRDB3W1R	Red	1	624nm	72

Absolute Maximum Ratings (Ta = 25°C)

Items	Symbol	Rating	Units
Operating Voltage	Viac	DC 24	V
Operating frequency	Freo	---	Hz
Power Dissipation	Pa	3. 6	W
Operating Temperature	Tope	-30 - +50	°C
Storage Temperature	Tsto	-40 - + 80	°C

Typical Performance (Ta = 25°C):

Items	Symbol	Min	Typ.	Max.	Units
Input Voltage	Vi	---	24	---	V
Input Current	If	---	700	--	MA
Beam Pattern	BP	---	15	---	Deg
Total Length	Lmod.	---	50.5	---	mm
Net Weight	Wei.	---	68.0	---	g
Estimated Life [1]	Life	---	50000	---	hour
Optimized Thermal Management (Body Temperature)	/	---	---	45	°C

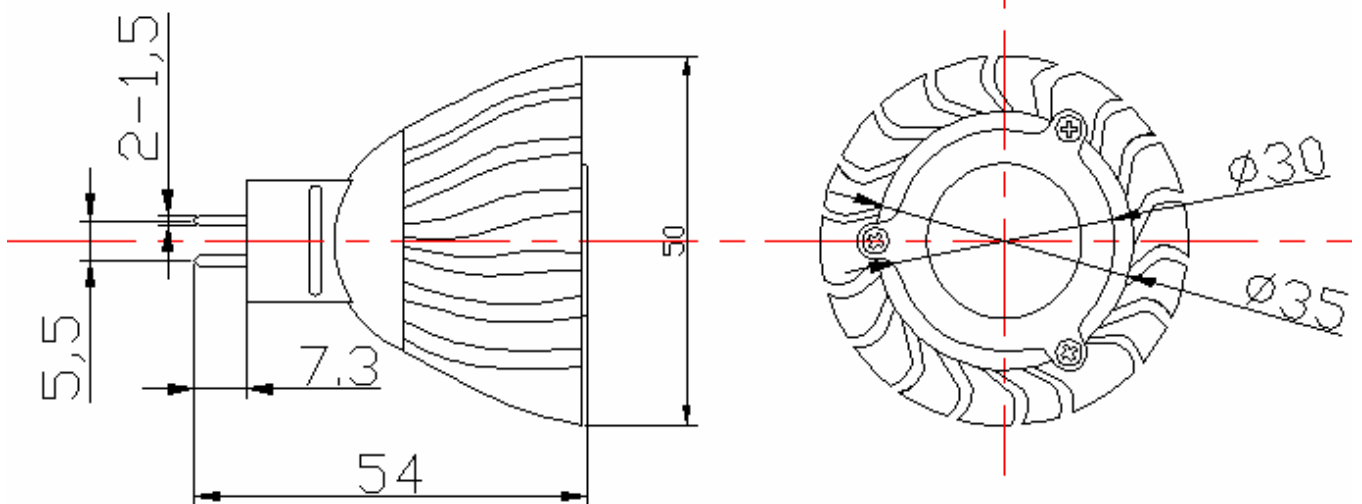
Notes:

- [1] The estimated life of MR16 with Lucky Light's lamps are estimated base on the LED light 4-8 hours each day. And Lucky Light only guarantees 50000 hours in specification, but it is longer than 50000 hours.
- Rank rations will be determined by Lucky Light, if you have any request or queries for Lucky Light products, please directly contact salesman.
- The brightness and forward voltage can be designed according to customer specifications.
- Specifications are subject to change without notice.

Product picture:



Product Dimensions:



Notes:

1. All dimensions unit in mm.
2. The tolerance is +/- 0.2mm unless otherwise noted.