

**Φ50mm MR16 Spotlight Series
Technical Data Sheet**

Model No.: L-MR16XXAD21R



Features:

- ◇ High intensity.
- ◇ Low power consumption.
- ◇ Long life.
- ◇ Operation voltage: 220/240V AC
- ◇ Available for all color.
- ◇ Easy-equipped.

Description:

General standard MR16 lamp adapters can be used with current lamp sockets. It has high ruminant efficiency by using super bright LED. The colors of lighting can be white, warm white, red, yellow, blue, green and other colors.

Application:

- ◇ Entertainment Lighting.
- ◇ Architectural lighting.
- ◇ City Beautification.
- ◇ Landscape lighting.
- ◇ Furniture decoration.
- ◇ Portable lighting.
- ◇ Other light sources.

Device Selection Guide:

Part No.	Color	Q'ty of LEDs (pcs)	Color Temp/Wavelength Typ (kelvin/nm)	Luminous Flux (lm)
L-MR16W6AD21R	Warm White	21	3000K	35.2
L-MR16WAD21R	White	21	8000K	34.4
L-MR16BAD21R	Blue	21	470nm	6.0
L-MR16GAD21R	Green	21	525nm	28.4
L-MR16YAD21R	Yellow	21	590nm	12.4
L-MR16RAD21R	Red	21	624nm	12.8

Absolute Maximum Ratings (Ta = 25°C)

Items	Symbol	Rating	Units
Operating Voltage	Viac	AC 220	V
Operating frequency	Freo	50-60	Hz
Power Dissipation	Pa	1.4-1.7	W
Operating Temperature	Tope	-30 - +50	°C
Storage Temperature	Tsto	-40 - + 80	°C

Typical Performance (Ta = 25°C):

Items	Symbol	Min	Typ.	Max.	Units
Input Voltage	Vi	200	220	240	V
Input Current	If	---	112	--	MA
Beam Pattern	BP	---	50	---	Deg
Total Length	Lmod.	---	44.5	---	mm
Net Weight	Wei.	---	42.5	---	g
Estimated Life [1]	Life	---	50000	---	hour
Optimized Thermal Management (Body Temperature)	/	---	---	45	°C

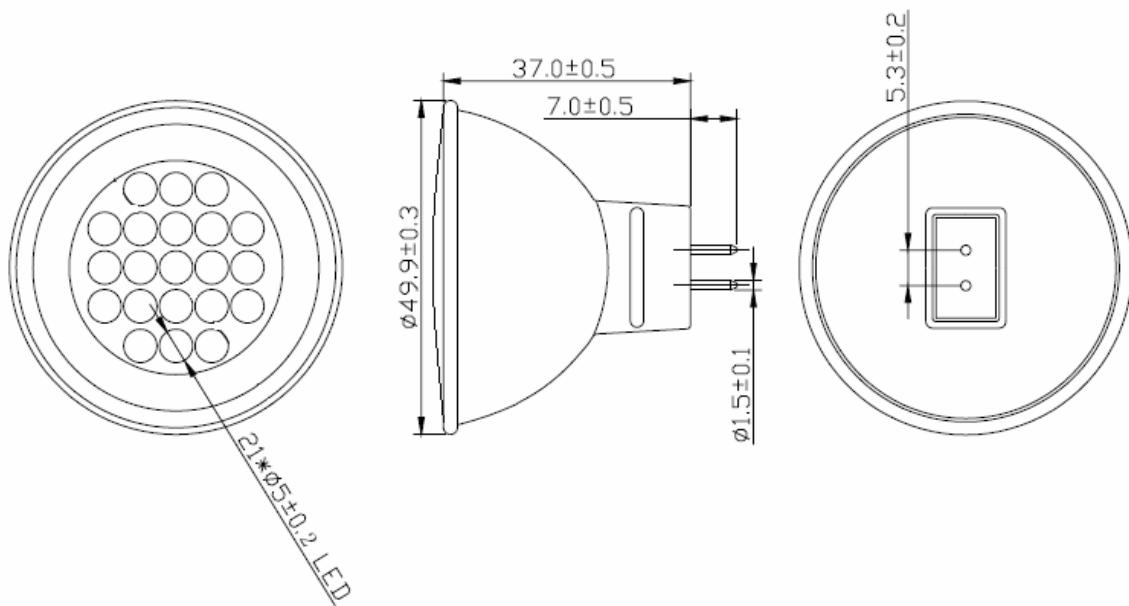
Notes:

- [1] The estimated life of MR16 with Lucky Light's lamps are estimated base on the LED light 4-8 hours each day. And Lucky Light only guarantees 50000 hours in specification, but it is longer than 50000 hours.
- Rank rations will be determined by Lucky Light, if you have any request or queries for Lucky Light products, please directly contact salesman.
- The brightness and forward voltage can be designed according to customer specifications.
- Specifications are subject to change without notice.

Product picture:



Product Dimensions:



Notes:

1. All dimensions unit in mm.
2. The tolerance is +/- 0.2mm unless otherwise noted.