

Φ 50mm MR16 High power Series
Technical Data Sheet

Model No.: L-MR16HXXAB3W1R



Features:

- ◇ High intensity.
- ◇ Low power consumption.
- ◇ Long life.
- ◇ Low voltage operation at 24V AC
- ◇ Available for all color.
- ◇ Easy-equipped.

Description:

This LED lightings are high power 1pcs LED for 3W, higher than the bright of other spot lamp as E27. Make use of the top grade aluminum alloy of the crust, faster scatter thermal diffusion. The colors of lighting can be white, warm white, red, yellow, blue, green and other colors.

Application:

- ◇ Entertainment Lighting.
- ◇ Architectural lighting.
- ◇ City Beautification.
- ◇ Landscape lighting.
- ◇ Furniture decoration.
- ◇ Portable lighting.
- ◇ Other light sources.

Device Selection Guide:

| Part No. | Color | Q'ty of LEDs (pcs) | Color Temp/Wavelength Typ (kelvin/nm) | Luminous Flux (lm) |
|-----------------|------------|--------------------|---------------------------------------|--------------------|
| L-MR16HW6AB3W1R | Warm White | 1 | 3000K | 68 |
| L-MR16HWAB3W1R | White | 1 | 8000K | 64.8 |
| L-MR16HBAB3W1R | Blue | 1 | 470nm | 18 |
| L-MR16HGAB3W1R | Green | 1 | 525nm | 75 |
| L-MR16HYAB3W1R | Yellow | 1 | 590nm | 64 |
| L-MR16HRAB3W1R | Red | 1 | 624nm | 72 |

Absolute Maximum Ratings (Ta = 25°C)

| Items | Symbol | Rating | Units |
|-----------------------|--------|------------|-------|
| Operating Voltage | Viac | AC 24 | V |
| Operating frequency | Freo | 50-60 | Hz |
| Power Dissipation | Pa | 3.6 | W |
| Operating Temperature | Tope | -30 - +50 | °C |
| Storage Temperature | Tsto | -40 - + 80 | °C |

Typical Performance (Ta = 25°C):

| Items | Symbol | Min | Typ. | Max. | Units |
|--|--------|-----|-------|------|-------|
| Input Voltage | Vi | --- | 24 | --- | V |
| Beam Pattern | BP | --- | 15 | --- | Deg |
| Total Length | Lmod. | --- | 50.5 | --- | mm |
| Net Weight | Wei. | --- | 68.0 | --- | g |
| Estimated Life [1] | Life | --- | 50000 | --- | hour |
| Optimized Thermal Management (Body Temperature) | / | --- | --- | 45 | °C |

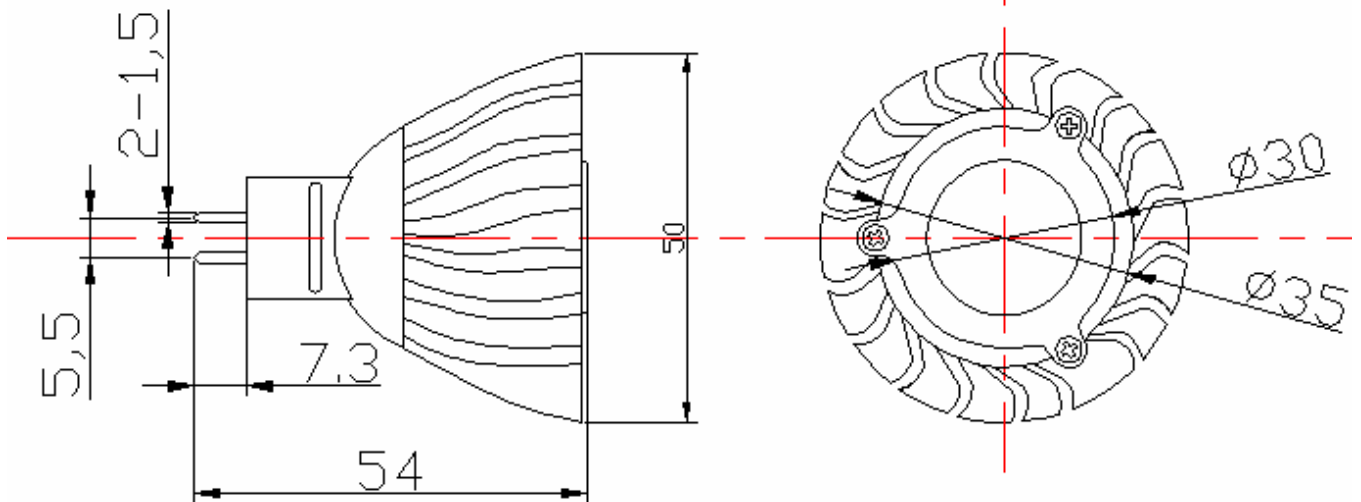
Notes:

- [1] The estimated life of MR16 with Lucky Light's lamps are estimated base on the LED light 4-8 hours each day. And Lucky Light only guarantees 50000 hours in specification, but it is longer than 50000 hours.
- Rank rations will be determined by Lucky Light, if you have any request or queries for Lucky Light products, please directly contact salesman.
- The brightness and forward voltage can be designed according to customer specifications.
- Specifications are subject to change without notice.

Product picture:



Product Dimensions:



Notes:

1. All dimensions unit in mm.
2. The tolerance is +/- 0.2mm unless otherwise noted.