

0.8" Single Digit Alphanumeric Displays
Technical Data Sheet

Model No: KWA-801XGB

Features:

- ◇ 0.80" (inch) digit height.
- ◇ Excellent segment uniformity.
- ◇ Sold state reliability.
- ◇ Industrial standard size.
- ◇ Low power consumption.
- ◇ The product itself will remain within RoHS compliant Version.

Descriptions:

- ◇ The KWA-801XXX series is a larger 20.32mm (0.80") high seven segments display designed for viewing distances up to 7 meters.
- ◇ These displays provide excellent reliability in bright ambient light.
- ◇ These devices are made with white segments and black surface.

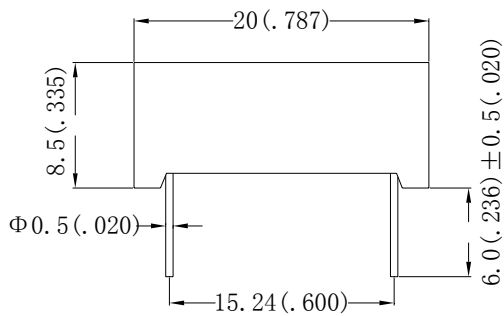
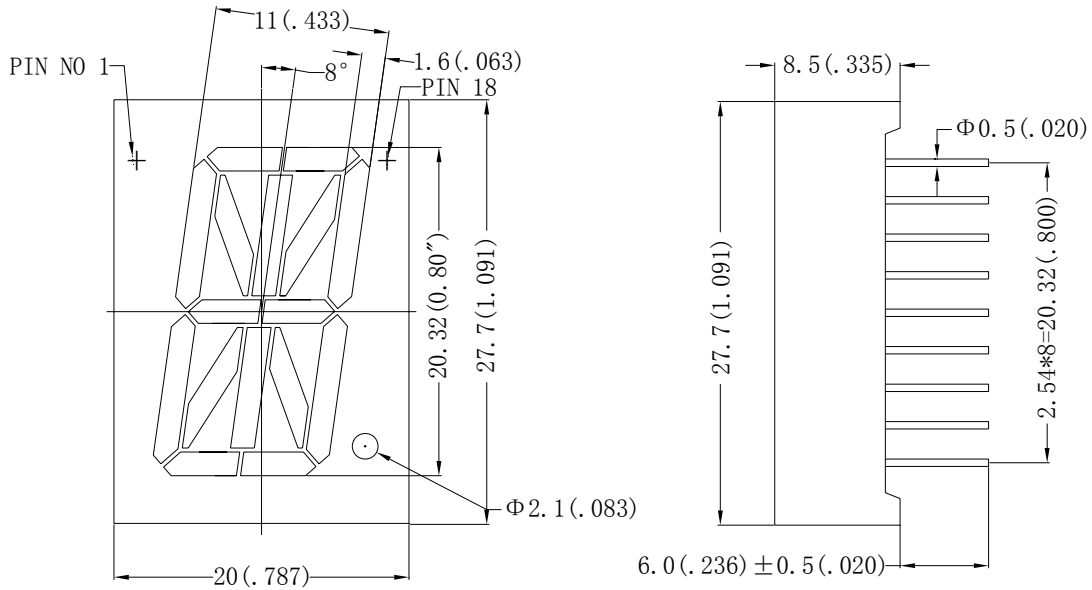
Applications:

- ◇ Audio equipment.
- ◇ Instrument panels.
- ◇ Digital read out display.

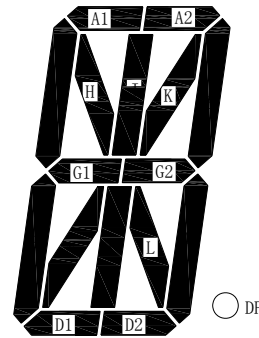
Device Selection Guide:

| Model No. | Chip Material | Source Color | Description |
|------------|---------------|--------------|----------------|
| KWA-801AGB | GaP | Yellow Green | Common Anode |
| KWA-801CGB | | Yellow Green | Common Cathode |

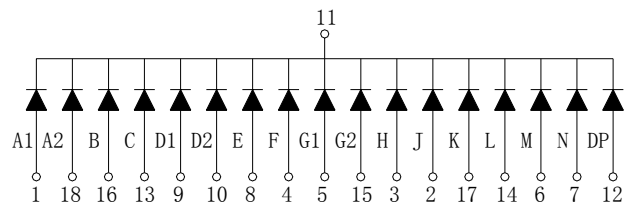
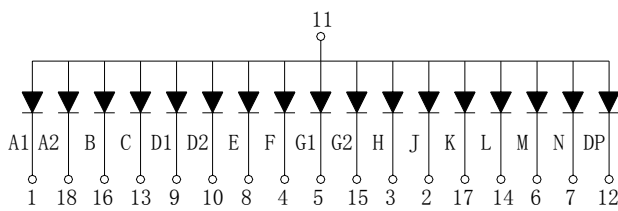
Package Dimension:



KWA-801AGB



KWA-801CGB



Notes:

1. All dimensions are in millimeters (inches).
2. Tolerance is ± 0.25 mm (.010") unless otherwise noted.
3. Specifications are subject to change without notice.

Absolute Maximum Ratings at Ta=25°C

| Parameters | Symbol | Max. | Unit |
|--|--------|---------------------|-------|
| Power Dissipation per segment | PD | 70 | mW |
| Peak Forward Current per segment (1/10 Duty Cycle, 0.1ms Pulse Width) | IFP | 100 | mA |
| Forward Current per segment | IF | 25 | mA |
| Derating Linear From 50°C | | 0.4 | mA/°C |
| Reverse Voltage | VR | 5 | V |
| Operating Temperature Range | Topr | -40°C to +80°C | |
| Storage Temperature Range | Tstg | -40°C to +100°C | |
| Soldering Temperature | Tsld | 260°C for 5 Seconds | |

Electrical Optical Characteristics at Ta=25°C

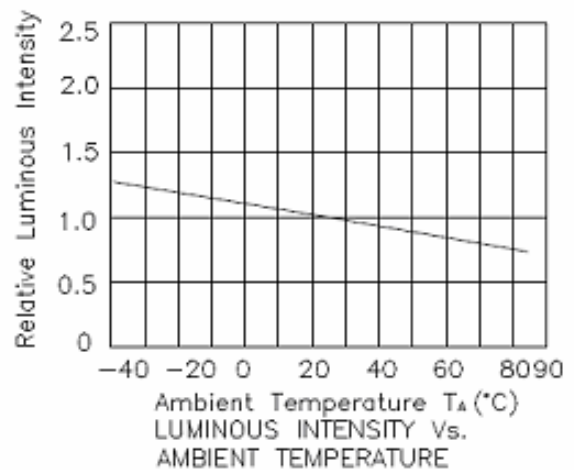
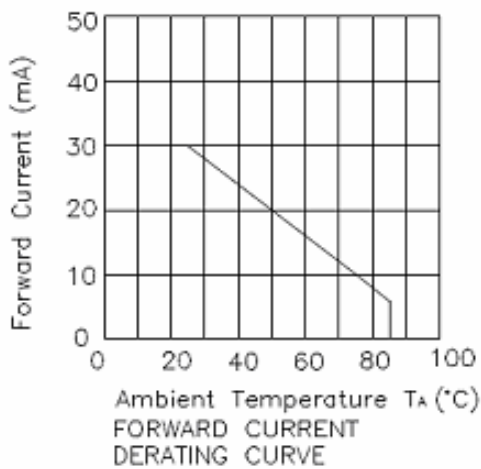
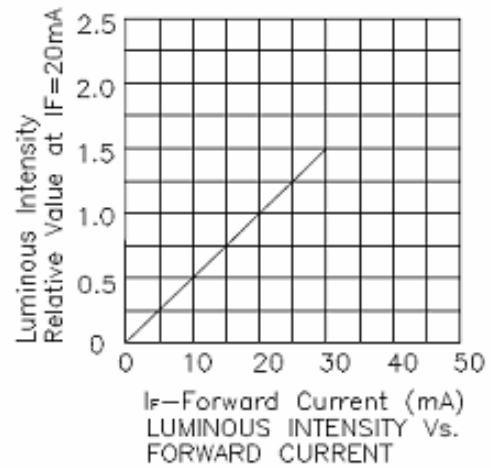
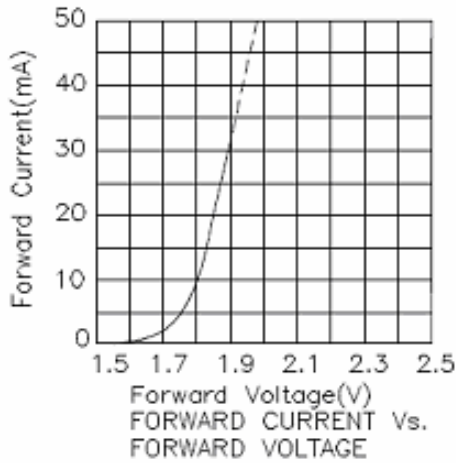
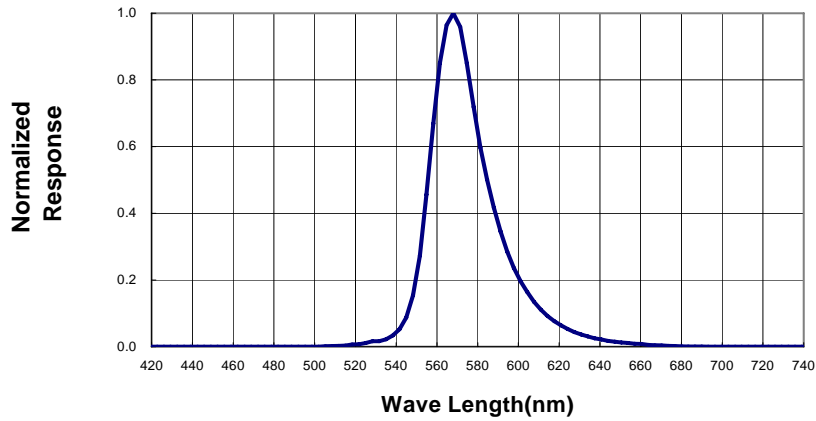
| Parameters | Symbol | Min. | Typ. | Max. | Unit | Test Condition |
|--------------------------|-----------------|------|------|------|---------|------------------|
| Luminous Intensity | Iv | 1.3 | 2.0 | --- | mcd | IF=20mA (Note 1) |
| Peak Emission Wavelength | λ_p | 563 | 568 | 573 | nm | IF=20mA |
| Dominant Wavelength | λ_d | 565 | 570 | 575 | nm | IF=20mA (Note 2) |
| Spectral Line Half-Width | $\Delta\lambda$ | 24 | 29 | 34 | nm | IF=20mA |
| Forward Voltage | VF | 1.7 | 2.1 | 2.8 | V | IF=20mA |
| Reverse Current | IR | --- | --- | 10 | μ A | VR=5V |

Notes:

- Luminous intensity is measured with a light sensor and filter combination that approximates the CIE eye-response curve.
- The dominant wavelength (λ_d) is derived from the CIE chromaticity diagram and represents the single wavelength which defines the color of the device.

Typical Electrical / Optical Characteristics Curves
(25°C Ambient Temperature Unless Otherwise Noted)

Spectral Radiance (Peak @ 568nm)



Please read the following notes before using the datasheets:

1. Over-current-proof

Customer must apply resistors for protection, otherwise slight voltage shift will cause big current change (Burn out will happen).

2. Storage

Do not open moisture proof bag before the products are ready to use.

Before opening the package, the LEDs should be kept at 30°C or less and 90%RH or less.

The LEDs should be used within a year.

After opening the package, the LEDs should be kept at 30°C or less and 70%RH or less.

The LEDs should be used within 168 hours (7 days) after opening the package.

3. Soldering Condition

Pb-free solder temperature profile

Reflow soldering should not be done more than two times.

4. Soldering Iron

Each terminal is to go to the tip of soldering iron temperature less than 260°C for 5 seconds within once in less than the soldering iron capacity 25W. Leave two seconds and more intervals, and do soldering of each terminal. Be careful because the damage of the product is often started at the time of the hand solder.

5. Repairing

Repair should not be done after the LEDs have been soldered. When repairing is unavoidable, a double-head soldering iron should be used. It should be confirmed beforehand whether the characteristics of the LEDs will or will not be damaged by repairing.