

Φ 50mm GU10 High power Series
Technical Data Sheet

Model No. : L-GU10HXXAH3W1R-1



Features:

- ◇ High intensity.
- ◇ Low power consumption.
- ◇ Long life.
- ◇ Operation voltage: 90V-260V AC.
- ◇ Available for all color.
- ◇ Easy-equipped.

Description:

This LED lightings are high power 1pcs LED for 3W, higher than the bright of other spot lamp as GU10. Make use of the top grade aluminum alloy of the crust, faster scatter thermal diffusion. The colors of lighting can be white, warm white, red, yellow, blue, green and other colors.

Application:

- ◇ Entertainment Lighting.
- ◇ Architectural lighting.
- ◇ City Beautification.
- ◇ Landscape lighting.
- ◇ Furniture decoration.
- ◇ Portable lighting.
- ◇ Other light sources.

Device Selection Guide:

Part No.	Color	Q'ty of LEDs (pcs)	Color Temp/Wavelength Typ (kelvin/nm)	Luminous Flux (lm)
L-GU10HW6AH3W1R-1	Warm White	1	3000K	78.2
L-GU10HWAH3W1R-1	White	1	8000K	82.5
L-GU10HBAH3W1R-1	Blue	1	470nm	19.6
L-GU10HGHAH3W1R-1	Green	1	525nm	78.3
L-GU10HYAH3W1R-1	Yellow	1	590nm	67.5
L-GU10HRAH3W1R-1	Red	1	624nm	76.0

Absolute Maximum Ratings (Ta = 25°C)

Items	Symbol	Rating	Units
Operating Voltage	Viac	AC 260	V
Operating frequency	Freo	50-60	Hz
Power Dissipation	Pa	4.3	W
Operating Temperature	Tope	-30 - +50	°C
Storage Temperature	Tsto	-40 - + 80	°C

Typical Performance (Ta = 25°C):

Items	Symbol	Min	Typ.	Max.	Units
Input Voltage	Vi	90	220	260	V
Beam Pattern	BP	---	60	---	Deg
Total Length	Lmod.	---	62	---	mm
Net Weight	Wei.	---	76.5	---	g
Estimated Life [1]	Life	---	50000	---	hour
Optimized Thermal Management (Body Temperature)	/	---	---	45	°C

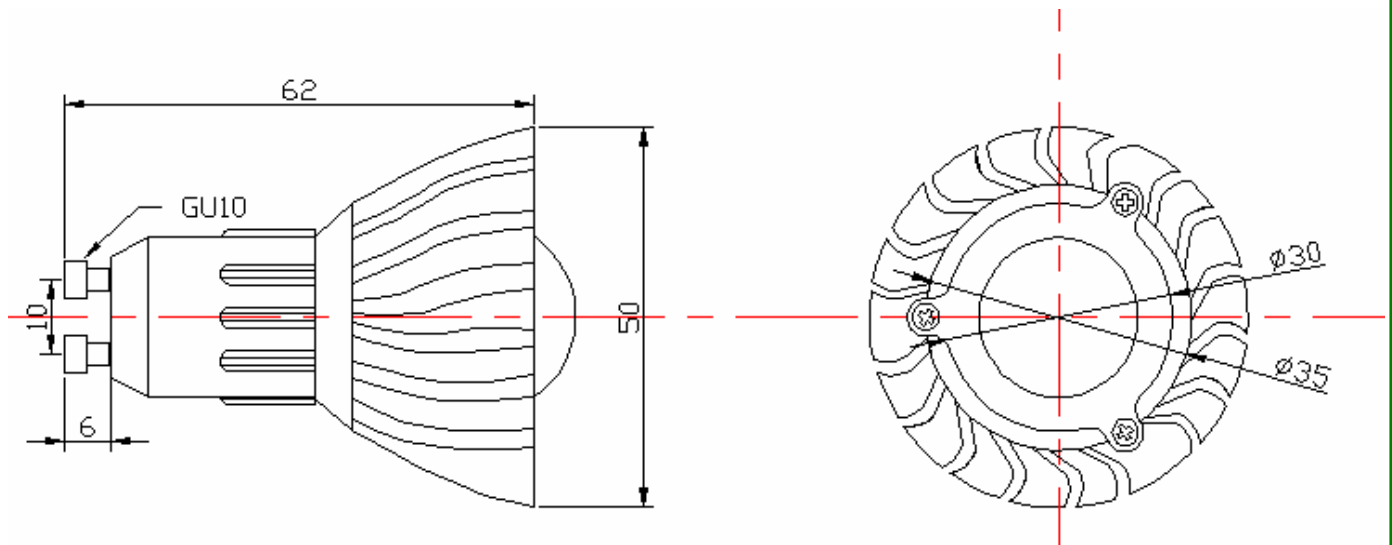
Notes:

- [1] The estimated life of GU10 with Lucky Light's lamps are estimated base on the LED light 4-8 hours each day. And Lucky Light only guarantees 50000 hours in specification, but it is longer than 50000 hours.
- Rank rations will be determined by Lucky Light, if you have any request or queries for Lucky Light products, please directly contact salesman.
- The brightness and forward voltage can be designed according to customer specifications.
- Specifications are subject to change without notice.

Product picture:



Product Dimensions:



Notes:

1. All dimensions unit in mm.
2. The tolerance is +/- 0.2mm unless otherwise noted.