

**Φ 50mm E27 Spotlight Series  
Technical Data Sheet**

Model No.: L-E27XXAD12R



## Features:

- ◇ High intensity.
- ◇ Low power consumption.
- ◇ Long life.
- ◇ Low voltage operation at 220~240VAC.
- ◇ Available for all color.
- ◇ Easy-equipped.

## Description:

General standard E27 lamp adapters can be used with current lamp sockets. It has high ruminant efficiency by using super bright LED. The colors of lighting can be white, warm white, red, yellow, blue, green and other colors.

## Application:

- ◇ Entertainment Lighting.
- ◇ Architectural lighting.
- ◇ City Beautification.
- ◇ Landscape lighting.
- ◇ Furniture decoration.
- ◇ Portable lighting.
- ◇ Other light sources.

## Device Selection Guide:

Part No.	Color	Q'ty of LEDs (pcs)	Color Temp/Wavelength Typ (kelvin/nm)	Luminous Flux (lm)
L-E27W6AD12R	Warm White	12	3000K	21.5
L-E27WAD12R	White	12	8000K	19.4
L-E27BAD12R	Blue	12	470nm	3.5
L-E27GAD12R	Green	12	525nm	16.2
L-E27YAD12R	Yellow	12	590nm	7.4
L-E27RAD12R	Red	12	624nm	8.0

**Absolute Maximum Ratings (Ta = 25°C)**

Items	Symbol	Rating	Units
Operating Voltage	Viac	AC 220	V
Operating frequency	Freo	50-60	Hz
Power Dissipation	Pa	0.9-1.2	W
Operating Temperature	Tope	-30 - +50	°C
Storage Temperature	Tsto	-40 - + 80	°C

**Typical Performance (Ta = 25°C):**

Items	Symbol	Min	Typ.	Max.	Units
Input Voltage	Vi	200	220	240	V
Beam Pattern	BP	---	50	---	Deg
Total Length	Lmod.	---	51.5	---	mm
Net Weight	Wei.	---	52.0	---	g
Estimated Life <b>[1]</b>	Life	---	50000	---	hour
Optimized Thermal Management (Body Temperature)	/	---	---	45	°C

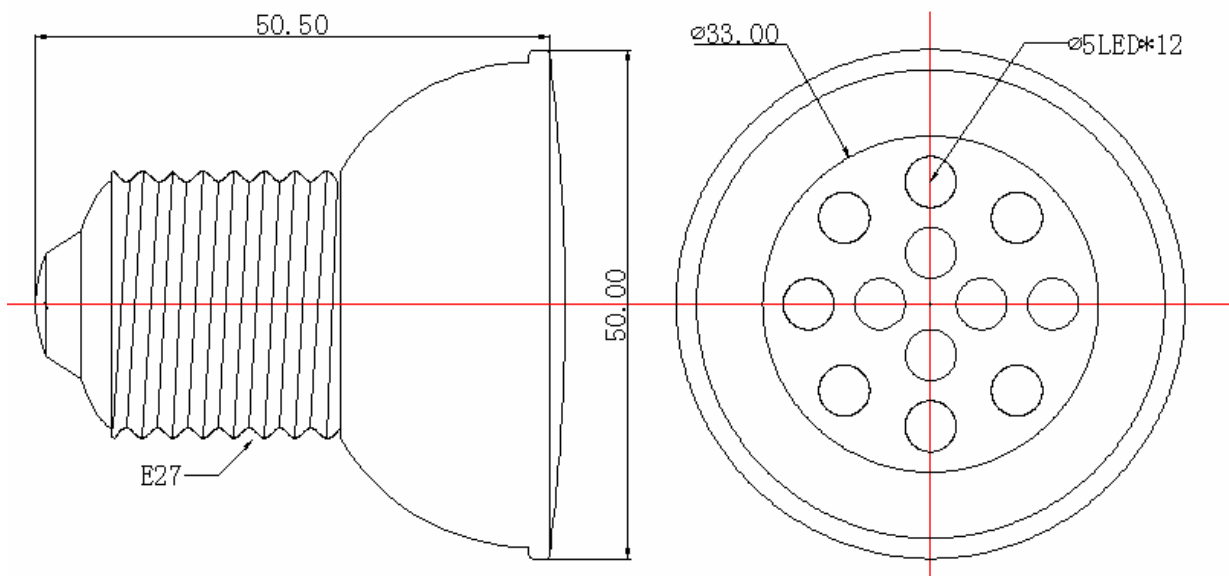
**Notes:**

- [1]** The estimated life of E27 with Lucky Light's lamps are estimated base on the LED light 4-8 hours each day. And Lucky Light only guarantees 50000 hours in specification, but it is longer than 50000 hours.
- Rank rations will be determined by Lucky Light, if you have any request or queries for Lucky Light products, please directly contact salesman.
- The brightness and forward voltage can be designed according to customer specifications.
- Specifications are subject to change without notice.

Product picture:



Product Dimensions:



Notes:

1. All dimensions unit in mm.
2. The tolerance is  $\pm 0.2\text{mm}$  unless otherwise noted.